

SWF系列混流式通风机 SWF Series Mixed-flow Fans

SWF系列混流式通风机是一种介于轴流式通风机和离心式通风机之间且兼二者之长的新型风机其风压比同机号轴流式通风机，其风量比同机号离心式通风机大，具有高效区宽、效率高等优点。该风机广泛应用于写字楼、宾馆及其它大型高级民用建筑的送风排风系统，也可用于冷库、纺织等工矿企业的通风换气，以替代低压离心式通风机或高压轴流式通风机。

SWF series mixed-flow fans are novel and intermediate fans between axial-flow fans and centrifugal fans, they absorb the advantages from both above fans. The total pressure is higher than the same sized axial-flow fan; the air-flow rate is larger than the same sized centrifugal fan, they have the advantages such as wide and effective operational zone, high efficiency etc. They are widely used for air ventilation systems in the offices, buildings, hotels, large-size high-grade civil purpose architectures etc, they can also be used for ventilation in the mining and industrial enterprises such as freezing houses, textile plants and so on in order to replace for the low-pressure centrifugal fans or high-pressure axial-flow fans.

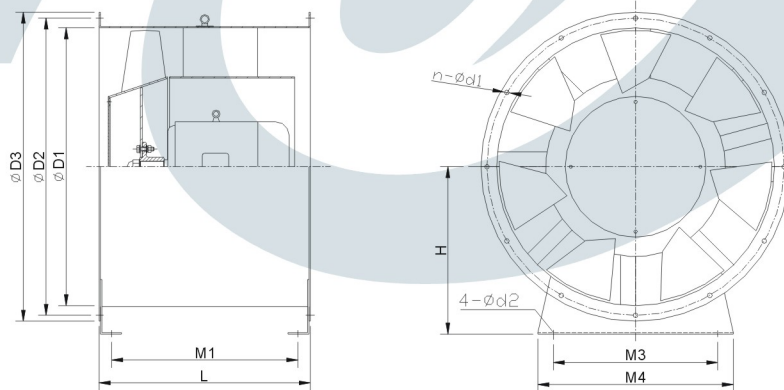
SWF- I 系列混流式通风机性能参数表

Performance sheets of the SWF- I series mixed-flow fans

机号 Fan Number	转速 Rotation Speed	风量 Volume Flow	全压 Total Pressure	功率 Power	噪声 Noise	重量 Weight
No	rpm	m ³ /h	Pa	kW	dB(A)	kg
4	1450	3053~4302	212~143	0.37	71	52
4.5	1450	3392~4552	265~207	0.55	73	62
5	1450	5252~7433	326~220	1.1	77	80
6	1450	8121~10000	325~200	1.5	79	110
7	1450	11780~18880	470~329	3	82	175
8	960	18636~25467	382~193	4	82	223
9	960	27174~34206	430~282	5.5	86	285
10	960	36916~44054	371~288	7.5	86	325
11	960	43572~48729	376~310	11	86	430
12	720	57226~64292	498~429	15	91	550
13	720	63699~71565	508~441	15	91	580



SWF- I 系列低噪声轴流通风机外形与安装尺寸 Dimensions of the SWF- I series mixed-flow fans



机号 No	D1	D2	D3	L	M1	M3	M4	H	n-φd ₁	d ₂
4	410	450	480	340	286	210	270	265	8-φ10	10.5
4.5	460	500	530	400	347	270	330	290	8-φ10	10.5
5	510	560	590	440	387	320	400	316	12-φ12	10.5
6	610	660	690	480	427	370	450	380	12-φ12	12.5
7	710	760	790	540	476	420	500	428	12-φ12	15
8	810	860	890	630	566	450	550	487	12-φ12	15
9	910	970	1000	700	634	550	650	550	16-φ15	15
10	1010	1070	1100	720	654	650	750	600	16-φ15	15
11	1110	1170	1210	770	704	700	800	650	16-φ15	19
12	1210	1270	1310	870	804	750	850	700	16-φ15	19
13	1310	1370	1410	970	904	800	900	750	16-φ15	19